

DIGITAL CONTROLLER HUB DCH8 Owner's Manual

背面有中文版使用说明书。

Main Features

- Divides the control line from host devices such as the Yamaha MTX/MRX series into up to 8 lines.
- Allows for a flexible system structure, with a combination of star connections and daisy chain connections as a repeater between the host device and the control panels.
- Supports various ways of installation with screw holes equipped for mount fittings on the side and in the rear.

Accessories

(Please make sure they are included.)

- Mount fittings x 2
- Mount fitting screws x 4
- Owner's Manual (this document)

Supported Devices

(As of Jan. 2016)

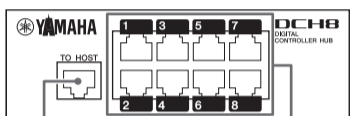
Host devices

MTX3, MTX5-D, MRX7-D, MA2120, PA2120

Control Panels

DCP1V4S, DCP4S, DCP4V4S

Part Names and Basic Connection



TO HOST:
Connect the [DCP] connector of the host device or the DCH8 connected to the host.

1 - 8:
Connect the control panels or another DCH8.

NOTE

Jacks from 1 to 8 all have the same function.

Caution for Connecting the Device

- Do not connect any unsupported devices (for example computers, routers, and the like).
- Do not leave attached any cables that are not connected to a device.

Installation Method

CAUTION

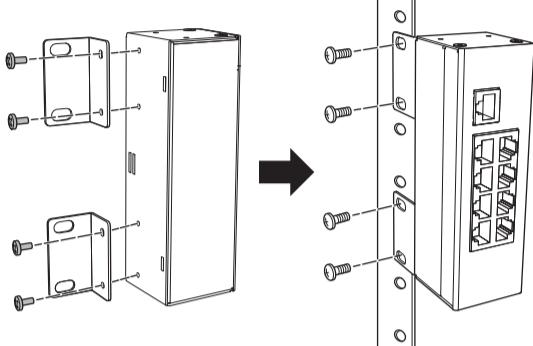
When mounting the device on a rack, make sure you secure the device with mount fittings on both the upper and lower sides.

For example, do not fasten only the fittings on one side when installing the device horizontally on the rack. If the weight of the device suddenly pushes on the top part of the rack, the device may break or cause you to sustain injuries.

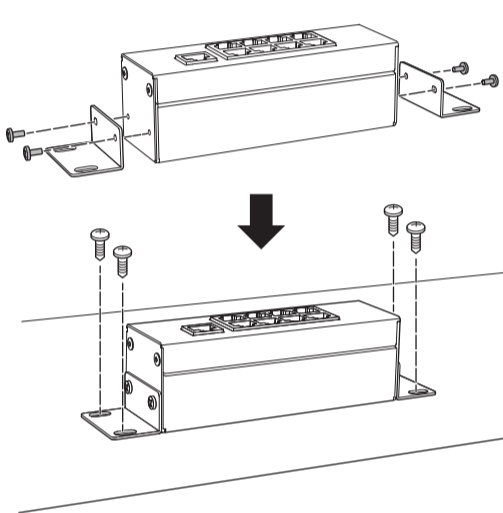
NOTE

The screws for mounting the device onto the rack are not included with the product. Obtain the screws separately.

Vertical Installation



Horizontal Installation



Maximum Number of Device Connections per Host

Host device	Max. number of connections
MTX3 MTX5-D MRX7-D	DCH8= 7 Control panel=8
MA2120 PA2120	DCH8=1 Control panel=2

General Specifications

Operating temperature	0°C to +40°C
Storage temperature	-20°C to +60°C
Dimensions	132 mm (W) x 42 mm (H) x 44 mm (D)
Net weight	0.24 kg

The contents of this manual apply to the latest specifications as of the printing date. To obtain the latest manual, access the Yamaha website then download the manual file.

Network Topology and Connection Distance

Network topology

You can combine star connections and daisy chain connections.

Connection distance

The distance between the host device and the most distant controller should be within 200 meters.

Termination Settings

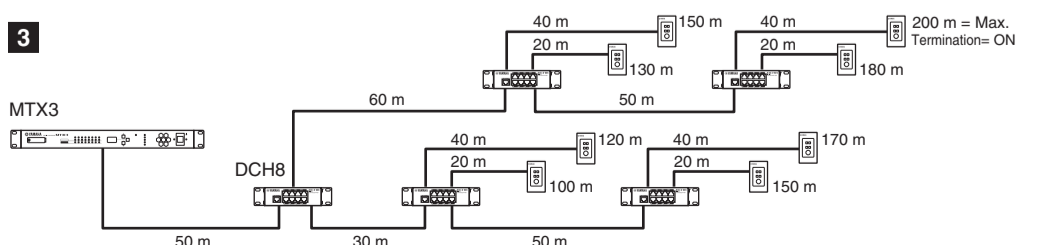
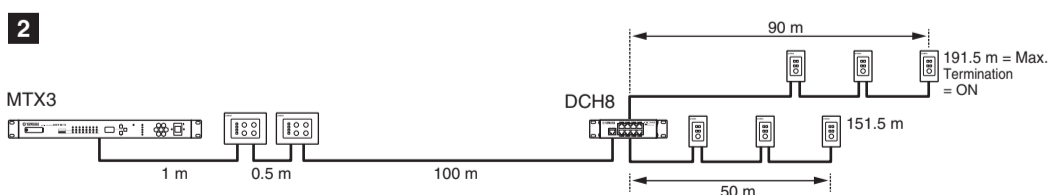
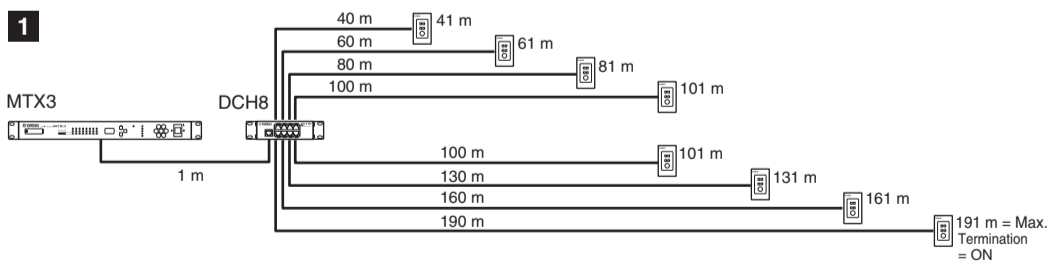
Turn the termination setting on only for the control panel that is the most distant from the host device.

If you connect multiple controllers at the same distance, turn the termination setting on only for one of them.

NOTE

More details for termination and ID settings for control panels, refer to the Owner's Manual for the control panel.

Connection Example



PRECAUTIONS

PA_en_6

PLEASE READ CAREFULLY BEFORE PROCEEDING

Please keep this manual in a safe place for future reference.

WARNING

Always follow the basic precautions listed below to avoid the possibility of serious injury or even death from electrical shock, short-circuiting, damages, fire or other hazards. These precautions include, but are not limited to, the following:

Do not open

- This device contains no user-serviceable parts. Do not open the device or attempt to disassemble the internal parts or modify them in any way. If it should appear to be malfunctioning, discontinue use immediately and have it inspected by qualified Yamaha service personnel.

Fire warning

- Do not place any burning items or open flames near the device, since they may cause a fire.

CAUTION

Always follow the basic precautions listed below to avoid the possibility of physical injury to you or others, or damage to the device or other property. These precautions include, but are not limited to, the following:

Location

- Do not place the device in a location where it may come into contact with corrosive gases or salt air. Doing so may result in malfunction.
- Before moving the device, remove all connected cables.

Handling caution

- Do not rest your weight on the device or place heavy objects on it, and avoid use excessive force on the buttons, switches or connectors to prevent injuries.

Yamaha cannot be held responsible for damage caused by improper use or modifications to the device.

NOTICE

To avoid the possibility of malfunction/ damage to the product, damage to data, or damage to other property, follow the notices below.

Handling and maintenance

- Do not expose the device to excessive dust or vibration, or extreme cold or heat (such as in direct sunlight, near a heater, or in a car during the day), in order to prevent the possibility of panel disfiguration, unstable operation, or damage to the internal components.
- Do not place vinyl, plastic or rubber objects on the device, since this might discolor the panel.
- When cleaning the device, use a dry and soft cloth. Do not use paint thinners, solvents, cleaning fluids, or chemical-impregnated wiping cloths.
- Condensation can occur in the device due to rapid, drastic changes in ambient temperature—when the device is moved from one location to another, or air conditioning is turned on or off, for example. Using the device while condensation is present can cause damage. If there is reason to believe that condensation might have occurred, leave the device for several hours until the condensation has completely dried out.
- Do not expose the device to rain, use it near water or in damp or wet conditions. If any liquid such as water seeps into the device, unplug the cables. Then have the device inspected by qualified Yamaha service personnel.
- If this device should be dropped or damaged, immediately disconnect cables from this device, and have the device inspected by qualified Yamaha service personnel.
- Avoid inserting or dropping foreign objects (paper, plastic, metal, etc.) into any gaps or openings on the device (panel, etc.) If this happens, immediately turn off the power of the connected devices, unplug the power cord from the AC outlet, and have the device inspected by qualified Yamaha service personnel.
- Avoid pulling the cables connected to the devices, etc. to prevent injuries.

About this manual

- The illustrations as shown in this manual are for instructional purposes only.
- The company names and product names in this manual are the trademarks or registered trademarks of their respective companies.

Information for Users on Collection and Disposal of Old Equipment



This symbol on the products, packaging, and/or accompanying documents means that used electrical and electronic products should not be mixed with general household waste.

For proper treatment, recovery and recycling of old products, please take them to applicable collection points, in accordance with your national legislation and the Directives 2002/96/EC.

By disposing of these products correctly, you will help to save valuable resources and prevent any potential negative effects on human health and the environment which could otherwise arise from inappropriate waste handling.

For more information about collection and recycling of old products, please contact your local municipality, your waste disposal service or the point of sale where you purchased the items.

[For business users in the European Union]

If you wish to discard electrical and electronic equipment, please contact your dealer or supplier for further information.

[Information on Disposal in other Countries outside the European Union]

This symbol is only valid in the European Union. If you wish to discard these items, please contact your local authorities or dealer and ask for the correct method of disposal.

(weee_eu_en_01)