

Technical Specifications

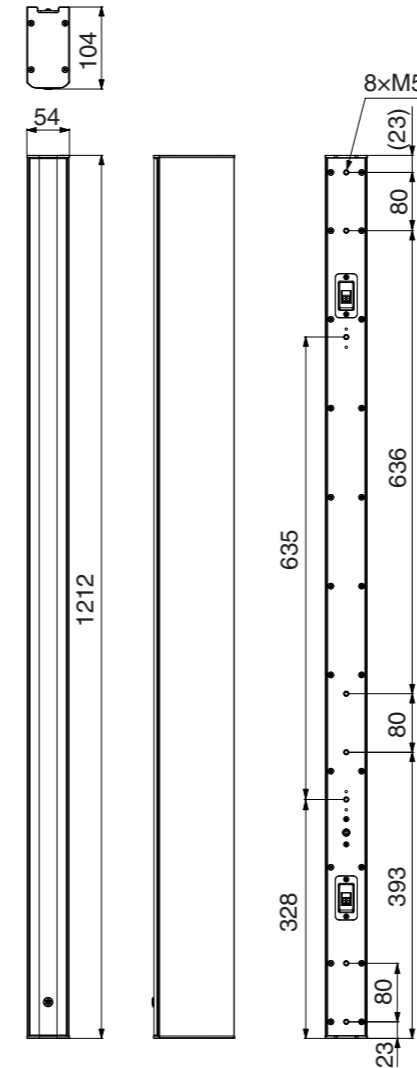
General Specifications

| Model | VXL1(B/W)-24 | VXL1(B/W)-16 | VXL1(B/W)-8 |
|---------------------------------------|--|--|--|
| Speaker type | Full-range, Bass reflex | | |
| Component | 1.5" (3.75 cm) Cone x 24 | 1.5" (3.75 cm) Cone x 16 | 1.5" (3.75 cm) Cone x 8 |
| Coverage (-6 dB)*2 | Horizontal | 170° | 170° |
| | Vertical | NORMAL: 15° (+7.5° to -7.5°) WIDE: 20° (+7.5° to -12.5°) | NORMAL: 25° (+12.5° to -12.5°) WIDE: 30° (+12.5° to -17.5°) |
| Effective coverage (-10 dB)*2 | Horizontal | 180° | 180° |
| | Vertical | NORMAL: 25° (+12.5° to -12.5°) WIDE: 35° (+12.5° to -22.5°) | NORMAL: 30° (+15° to -15°) WIDE: 45° (+15° to -30°) |
| Nominal impedance | 8Ω | 12Ω | 16Ω |
| Power rating | NOISE | 110 W | 80 W |
| | PGM | 220 W | 160 W |
| | MAX | 440 W | 320 W |
| Sensitivity (1 W; 1 m on axis) *1, *3 | 91 dB SPL (90 dB SPL: with port cover) | 91 dB SPL (90 dB SPL: with port cover) | 89 dB SPL (88 dB SPL: with port cover) |
| Maximum SPL*4 | 117 dB SPL (1 m) | 116 dB SPL (1 m) | 111 dB SPL (1 m) |
| Frequency range (-10 dB)*1 | | 77 Hz – 20 kHz | 81 Hz – 20 kHz |
| | (With port cover) | 98 Hz – 20 kHz | 108 Hz – 20 kHz |
| Connector | Euroblock (2 pin) x 2 (input: +/-) Max. wire size AWG12 (3.5 sq) | | |
| Vertical coverage selector | NORMAL/WIDE | | - |
| Overload protection | Full-range power limiting to protect network and transducers | | |
| Magnetically shielded | No | | |
| Dust and water resistant | IP34 (with port cover: IP35) | | IP33 (with port cover: IP35) |
| Enclosure | Cabinet | VXL1B-24/16/8: Aluminum extrusion cabinet, black VXL1W-24/16/8: Aluminum extrusion cabinet, white | |
| | Top/Bottom | ABS(UL94-5VB) | |
| Metal grille | Perforated aluminum (t=1.0 mm) Aperture ratio: 55% | | |
| Finish | VXL1B-24/16/8: Black painting (approximate value: Munsell N3.0) VXL1W-24/16/8: White painting (approximate value: Munsell N9.0) | | |
| Dimensions (W x H x D) | Speaker only | 54 x 1212 x 104 mm | 54 x 846 x 104 mm |
| | With included bracket | 54 x 1212 x 111.5 mm | 54 x 846 x 111.5 mm |
| Net weight | Speaker only | 5.5 kg | 3.9 kg |
| Packaging | Packaged in 1 pc | | |

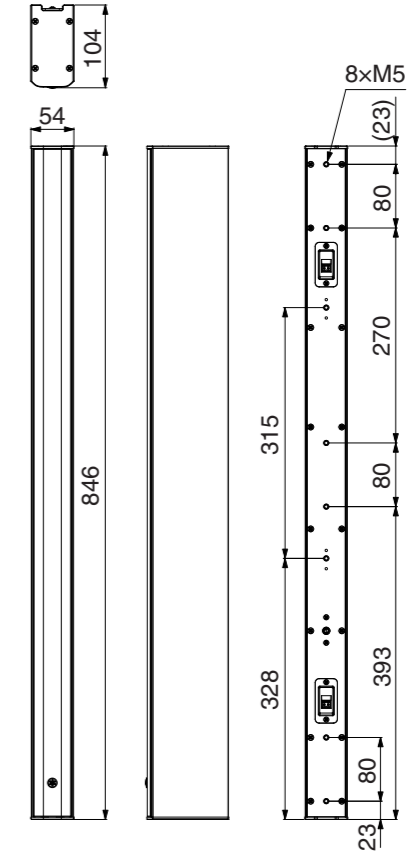
*1 : Half-space (2 π)
 *2 : 1 kHz – 4 kHz average
 *3 : Measured at 2 m; value converted to 1 m is shown (frequency range: 100 Hz – 10 kHz)
 *4 : Calculated based on power rating and sensitivity, exclusive of power compression.

Dimensions

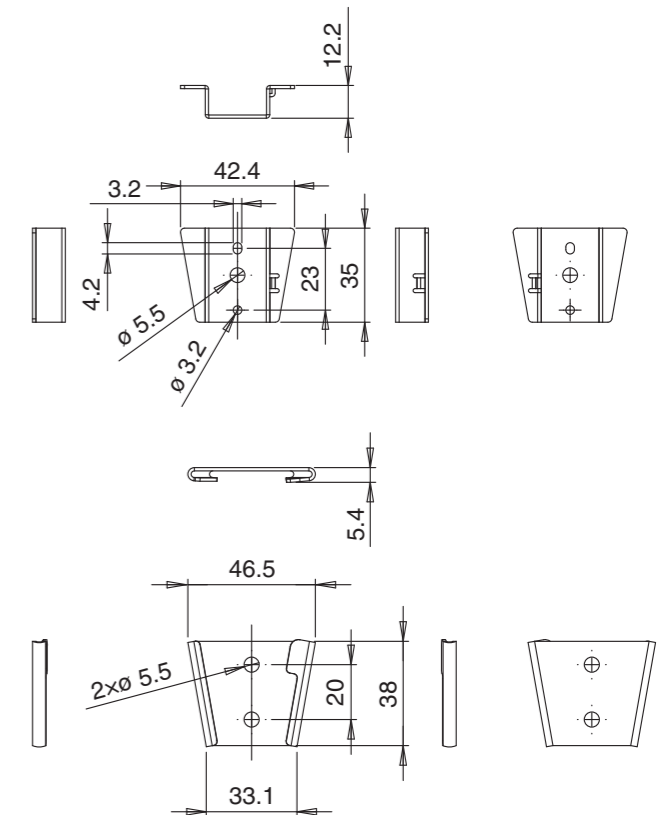
VXL1(B/W)-24



VXL1(B/W)-16

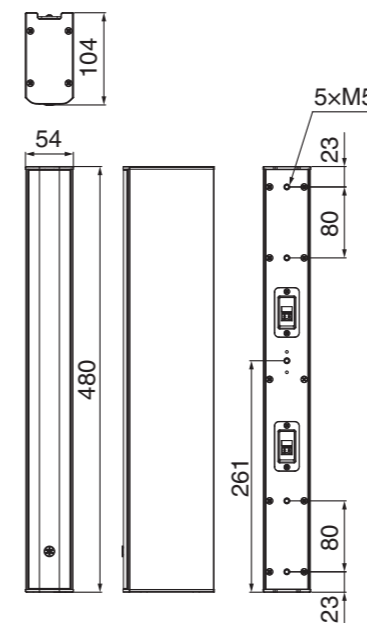


Mount Bracket



Unit: mm

VXL1(B/W)-8



* The contents of this manual apply to the latest specifications as of the publishing date. To obtain the latest manual, access the Yamaha website then download the manual file.

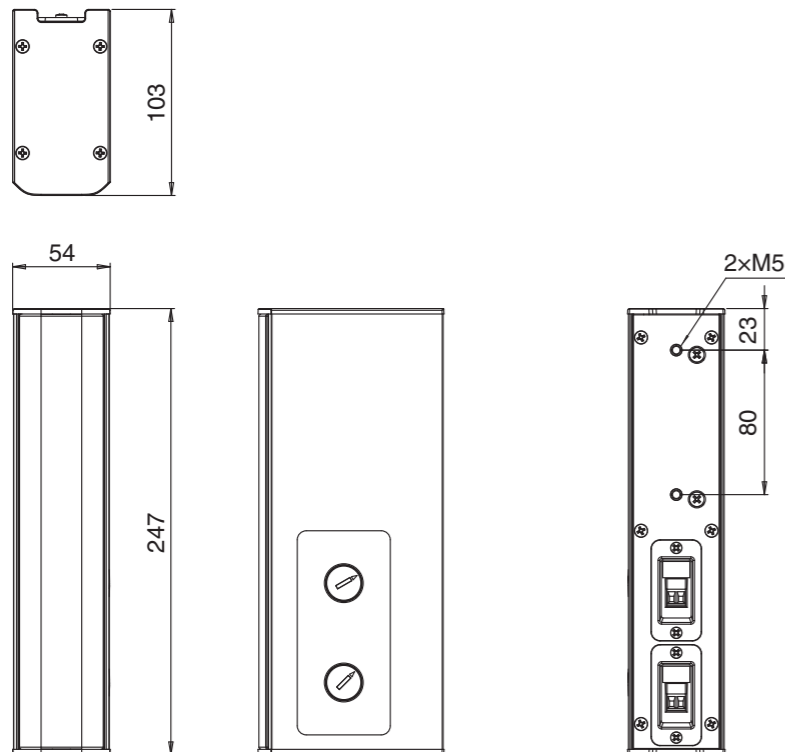
General Specifications

| | | |
|--------------------------|--|-------------------------|
| Model | ST-L1(B/W)a | |
| Supported speaker | VXL1(B/W)-24/16/8, VXL1(B/W)-24/16/8-WR | |
| Transformer taps | 100 V | 60 W, 30 W, 15 W |
| | 70 V | 60 W, 30 W, 15 W, 7.5 W |
| Speaker selector | VXL1(B/W)-24 | |
| | VXL1(B/W)-16 | |
| | VXL1(B/W)-8 | |
| Dust and water resistant | IP55 | |
| Dimensions (W × H × D) | 54 × 247 × 103 mm | |
| Net weight | 2.0 kg | |
| Packaging | Packaged in 1pc | |

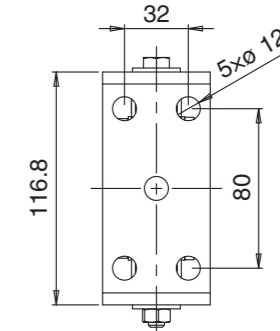
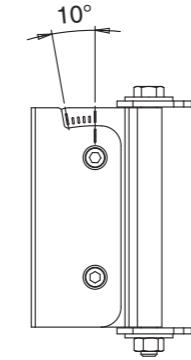
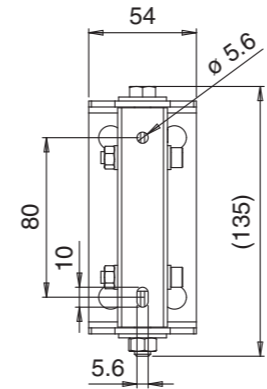
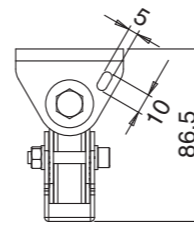
| Model | WMB-L1(B/W) | VCB-L1B | VCSB-L1(B/W) | HCB-L1B |
|-------------------|-------------------|---------|--------------|----------------------------|
| Supported speaker | VXL1(B/W)-24/16/8 | | | |
| Material | Aluminum | Steel | Steel | Steel |
| Net weight | 0.3 kg | 0.23 kg | 0.4 kg | (L) 0.19 kg (S) 0.06 kg |

Dimensions

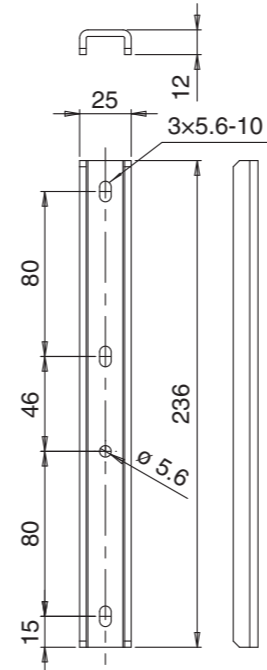
ST-L1(B/W)a



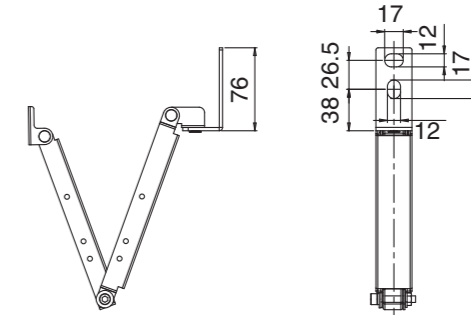
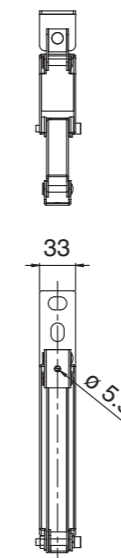
WMB-L1(B/W)



VCB-L1B

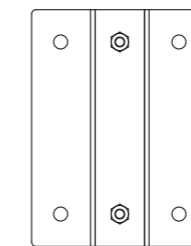
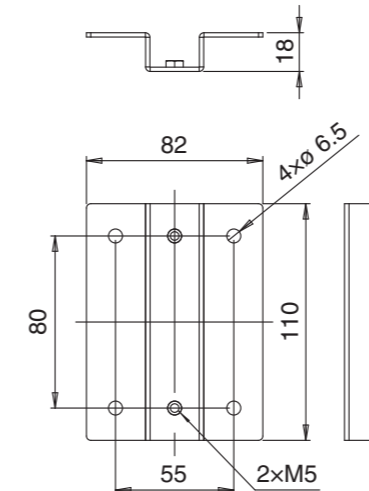


VCSB-L1(B/W)

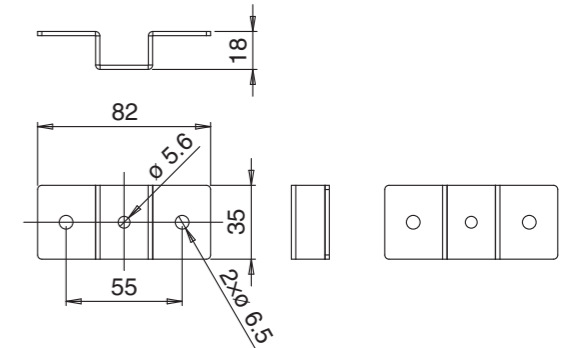


HCB-L1B

Coupling bracket (L)



Coupling bracket (S)



General Specifications

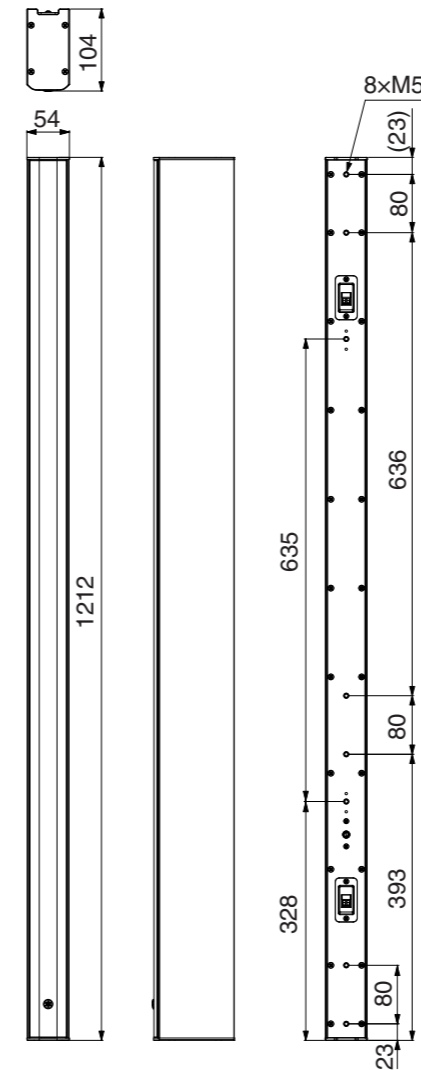
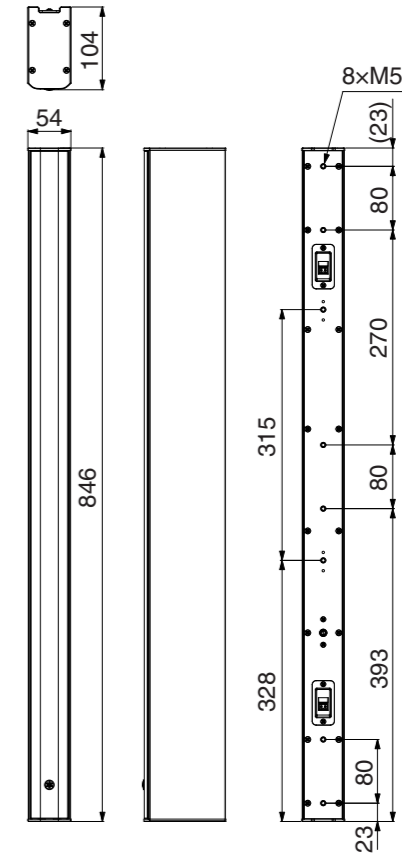
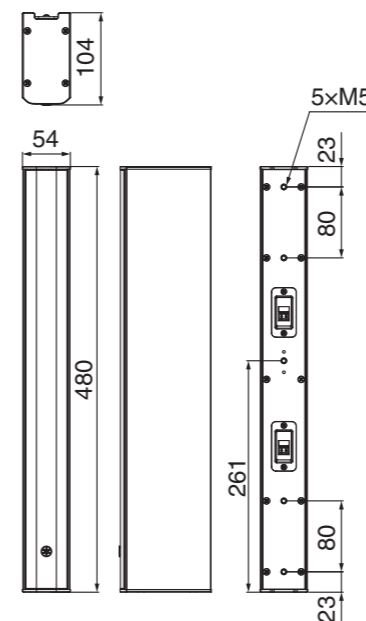
| Model | VXL1(B/W)-24-WR | VXL1(B/W)-16-WR | VXL1(B/W)-8-WR |
|--------------------------------------|--|--|--|
| Speaker type | Full-range, Acoustic Suspension | | |
| Component | 1.5" (3.75 cm) Cone x 24 | 1.5" (3.75 cm) Cone x 16 | 1.5" (3.75 cm) Cone x 8 |
| Coverage (-6 dB)*2 | Horizontal | 170° | 170° |
| | Vertical | NORMAL 10° (+5° to -5°) WIDE 15° +5° to -10° | NORMAL 20° (+10° to -10°) WIDE 25° +10° to -15° |
| Effective coverage (-10 dB)*2 | Horizontal | 180° | 180° |
| | Vertical | NORMAL 20° (+10° to -10°) WIDE 30° (+10° to -20°) | NORMAL 25° (+12.5° to -12.5°) WIDE 40° (+12.5° to -27.5°) |
| Nominal impedance | 8Ω | 12Ω | 16Ω |
| Power rating | NOISE | 110 W | 80 W |
| | PGM | 220 W | 160 W |
| | MAX | 440 W | 320 W |
| Sensitivity (1 W; 1 m on axis)*1, *3 | 90 dB SPL | 90 dB SPL | 88 dB SPL |
| Maximum SPL*4 | 116 dB SPL (1 m) | 115 dB SPL (1 m) | 110 dB SPL (1 m) |
| Frequency range (-10 dB)*1 | 119 Hz – 18 kHz | 128 Hz – 18 kHz | 128 Hz – 18 kHz |
| Connector | Euroblock (2 pin) x 2 (input: +/-) Max. wire size AWG12 (3.5 sq) | | |
| Vertical coverage selector | NORMAL/WIDE | | – |
| Overload protection | Full-range power limiting to protect network and transducers | | |
| Magnetically shielded | No | | |
| Dust and water resistant | IP55 | | |
| Enclosure | Cabinet | VXL1B-24/16/8-WR: Aluminum extrusion cabinet, black VXL1W-24/16/8-WR: Aluminum extrusion cabinet, white | |
| | Top/Bottom | ABS (UL94-5VB) + Painting | |
| Metal grille | Perforated aluminum (t=1.0 mm) Aperture ratio: 55% | | |
| Finish | VXL1B-24/16/8-WR: Black painting (approximate value: Munsell N3.0) VXL1W-24/16/8-WR: White painting (approximate value: Munsell N9.0) | | |
| Dimensions (W x H x D) | Speaker only | 54 x 1212 x 104 mm | 54 x 846 x 104 mm |
| Net weight | Speaker only | 5.5 kg | 3.9 kg |
| Packaging | Packaged in 1 pc | | |

*1 : Half-space (2 π)

*2 : 1 kHz – 4 kHz average

*3 : Measured at 2 m; value converted to 1 m is shown (frequency range: 100 Hz – 10 kHz)

*4 : Calculated based on power rating and sensitivity

Dimensions
VXL1(B/W)-24-WR

VXL1(B/W)-16-WR

VXL1(B/W)-8-WR


Unit: mm

Technical Specifications

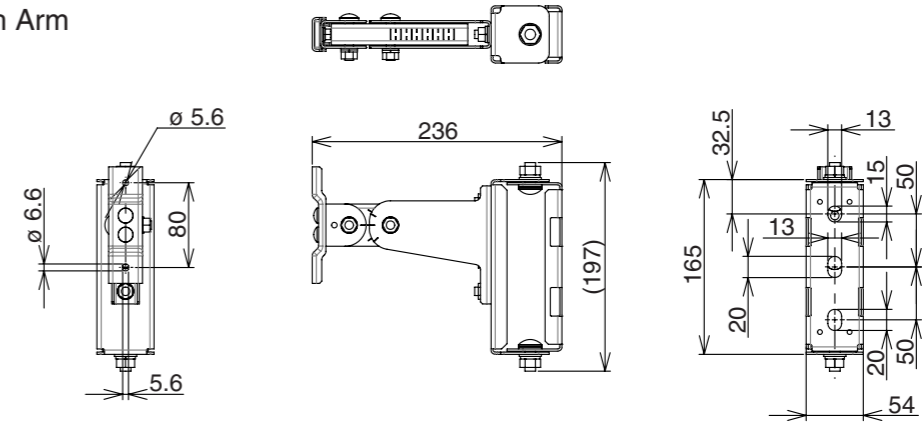
General Specifications

| | | | |
|------------------------|------------|----------------------|-------------------|
| Model | | PWMB-L1(B/W)-WR | |
| Supported speaker | | VXL1(B/W)-24/16/8-WR | |
| Dimensions (W × H × D) | Wall mount | with Arm | 54 × 197 × 236 mm |
| | | without Arm | 54 × 197 × 81 mm |
| | Pole mount | with Arm | 62 × 197 × 253 mm |
| | | without Arm | 62 × 197 × 98 mm |
| Net weight | Wall mount | with Arm | 1.3 kg |
| | | without Arm | 0.7 kg |
| | Pole mount | with Arm | 1.5 kg |
| | | without Arm | 0.9 kg |
| Material | | Stainless | |
| Packaging | | Packaged in 1pc | |

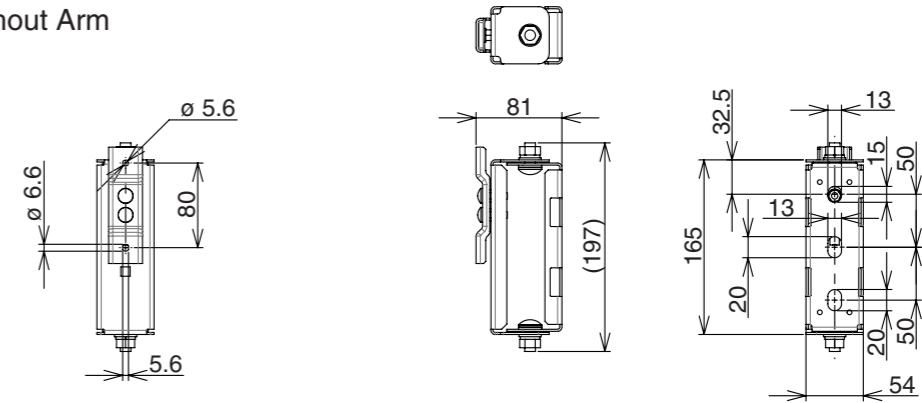
Dimensions

PWMB-L1(B/W)-WR

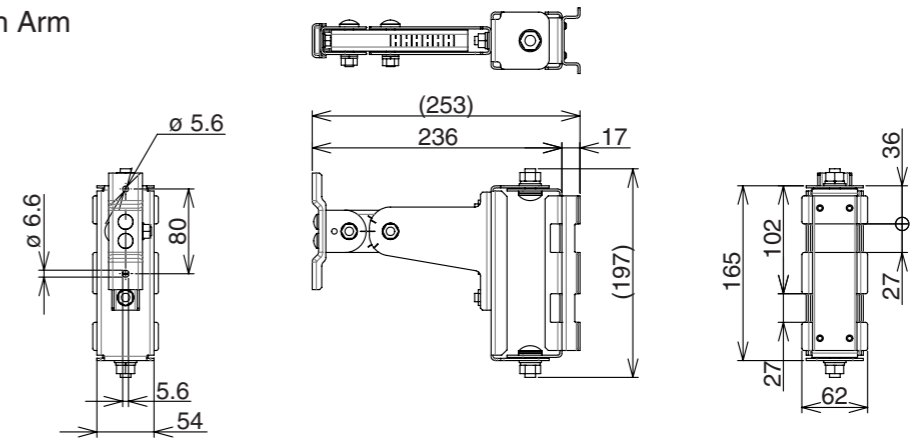
Wall mount with Arm



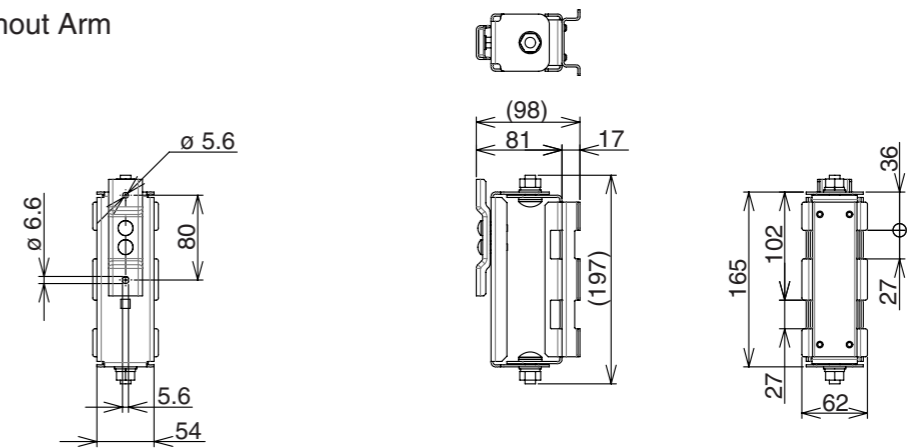
Wall mount without Arm



Pole mount with Arm



Pole mount without Arm



Unit: mm

Yamaha Pro Audio global website
<https://www.yamahaproaudio.com/>
Yamaha Downloads
<https://download.yamaha.com/>

© 2024 Yamaha Corporation
Published 02/2025
2025年2月发行
CR-B0