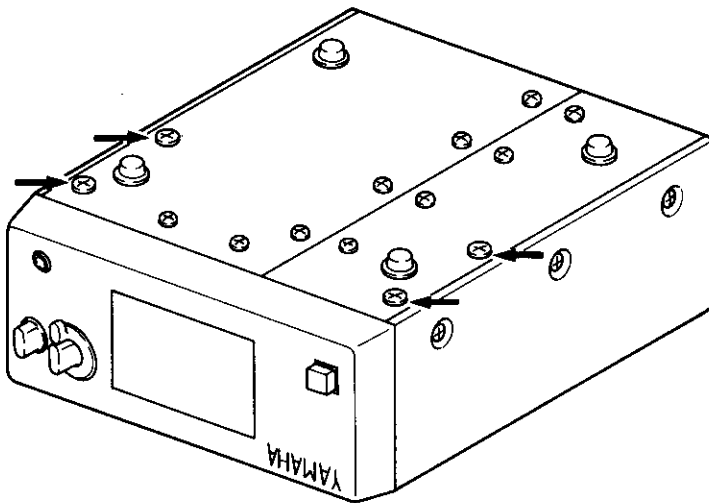
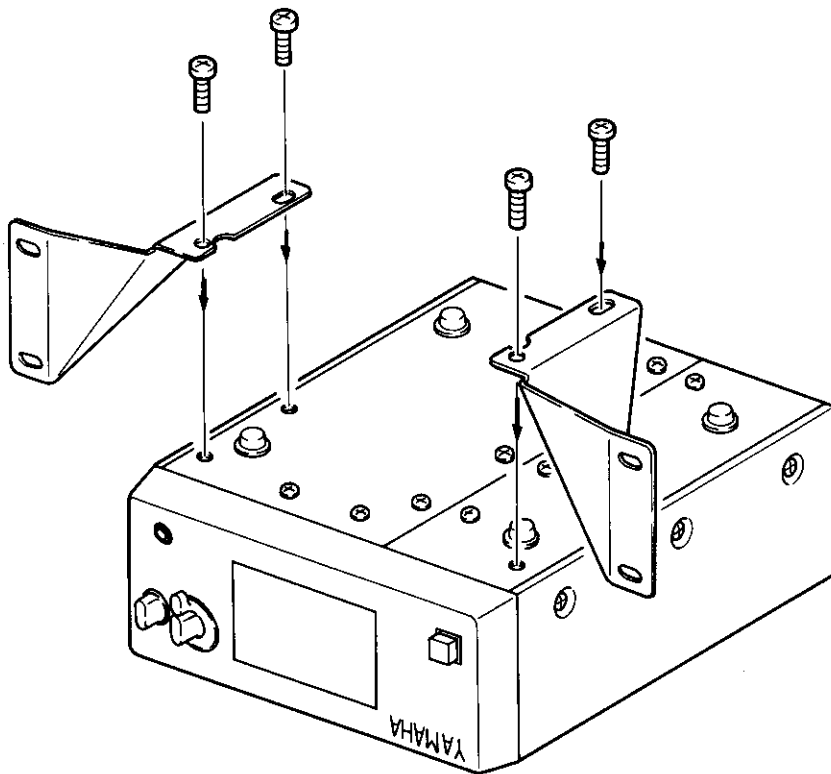


YAMAHA CBX-D5 RACK MOUNTING INSTRUCTIONS



1. Place CBX-D5 on a table with the bottom side facing up.
2. Remove the four screws shown in the illustration.



3. Attach the left and right brackets, and then tighten them with the screws.
- * To avoid damage to the unit, use only the screws provided.

4. Install the CBX-D5 into rack (the CBX-D5 requires 3U of rack space on any standard 19" electronic equipment rack).

* If, at a later time, you decide to remove the rack mount brackets, please be sure to replace the four screws.